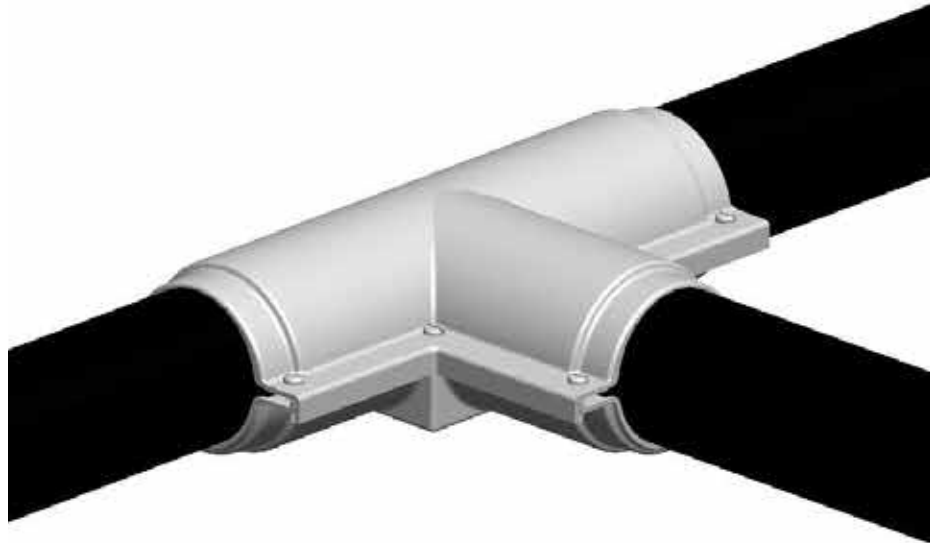


**FAK-5LHT Kit**  
for Tee Splice of  
ThermoTube or Fluid/Steam Heated  
TubeTrace Bundles  
**INSTALLATION PROCEDURES**



**The Heat Tracing Specialists®**

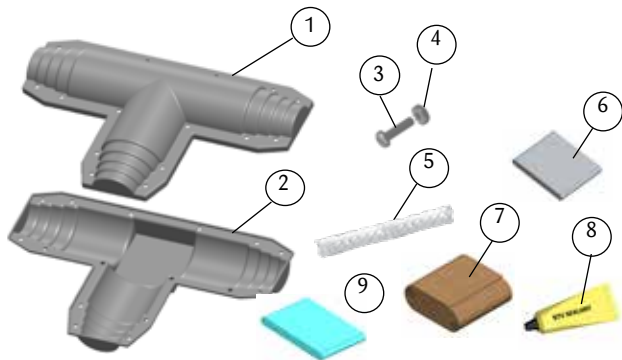
# FAK-5LHT

The following installation procedures are suggested guidelines for the installation of the FAK-5LHT: Tee Splice kit.

## Receiving, Storing and Handling . . .

1. Inspect materials for damage incurred during shipping.
2. Report damages to the carrier for settlement.
3. Identify parts against the packing list to ensure the proper type and quantity has been received.
4. Store in dry location.

## FAK-5LHT Kit Contents . . .



Item	Quantity	Description
1	1	Tee Splice Top
2	1	Tee Splice Base
3	10	Pan Head S.S. Screws, #10-32 x .75
4	10	KEPT S.S. Nuts, #10-32
5	1	Fiberglass Rope, 1/2" Dia. X 12' Length
6	1	Heavy Foil Tape, 1.75" Wide
7	1	Glass Fiber Tape, 2" Wide
8	1	RTV Sealant Tube
9	1	Heat Reflective Tape

# INSTALLATION PROCEDURES

The FAK-5LHT Tee Splice Kit is designed to make a water-proof seal over the end of Fluid/Steam Heated TubeTrace and ThermoTube at the tee splice connections. Review instructions prior to installation. Kit will make one splice connection (Tube fittings not included).

## Installation Precautions . . .

- Component approvals and performance ratings are based on the use of Therman specified parts only. User supplied power connection fittings must be listed or certified for intended use.
- Keep ends of kit components dry before and during installation.
- Individuals installing these products are responsible for complying with all applicable safety and health guidelines. Proper personal protective equipment, or PPE, should be utilized during installation. Contact Therman if you have any additional questions.

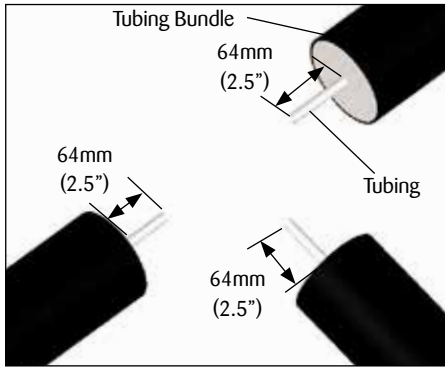
## Tools Required . . .



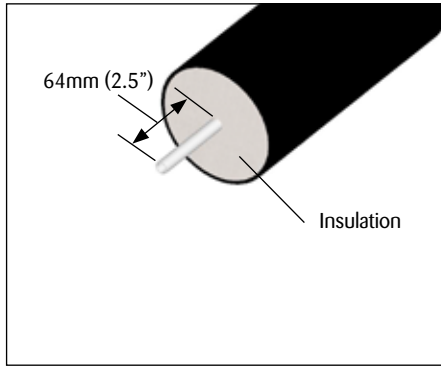
The Heat Tracing Specialists®

# FAK-5LHT

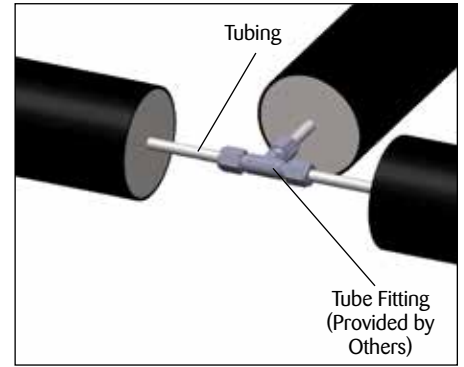
## INSTALLATION PROCEDURES



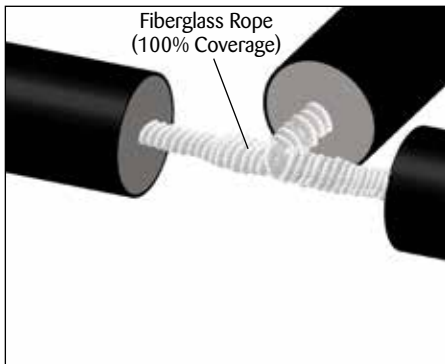
**1.** Remove outer jacket and insulation from tubing bundle approximately 64mm (2.5") from the end of the tubing bundle.



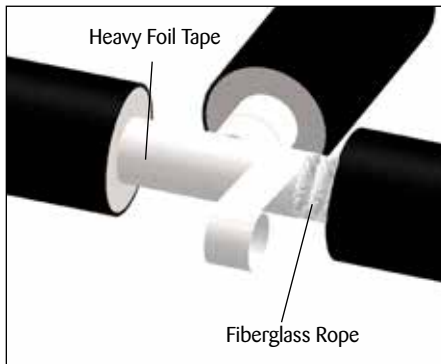
**2.** Prepare bundle for tubing connection. Ensure a clean, square cut. Deburr tube ends.



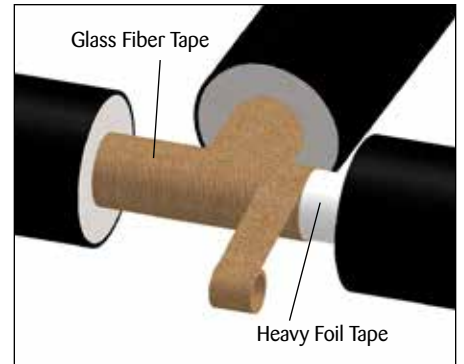
**3.** Make tube connections with appropriate fittings, provided by others. Test fittings for leaks before proceeding.



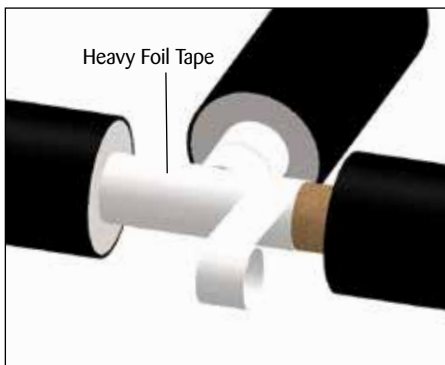
**4.** Wrap high temperature tubing with 1/2" fiberglass rope.



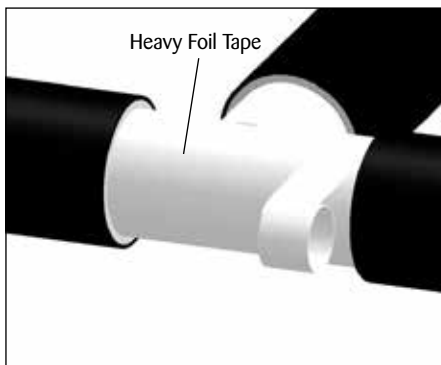
**5.** Wrap rope with one pass of heavy foil tape (25% overlap).



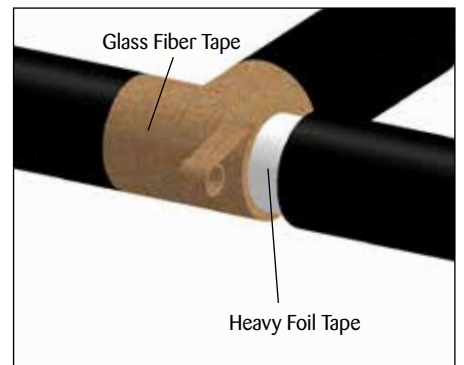
**6.** Wrap with 3 passes of glass fiber tape (50% overlap).



**7.** Add 1 additional pass of heavy foil tape (25% overlap).



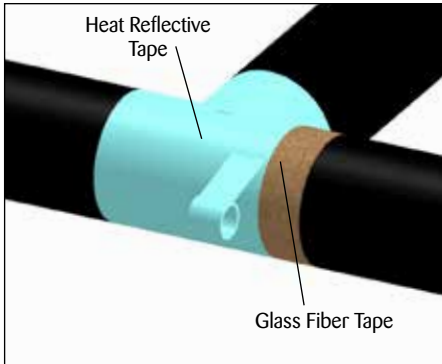
**8.** Add 1 additional pass of heavy foil tape (25% overlap).



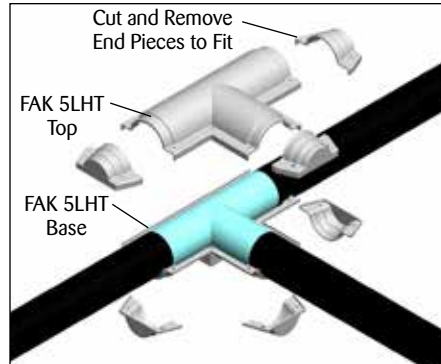
**9.** Wrap with 4 passes of glass fiber tape (50% overlap), or until fiber tape is equal to original bundle insulation thickness.

# FAK-5LHT

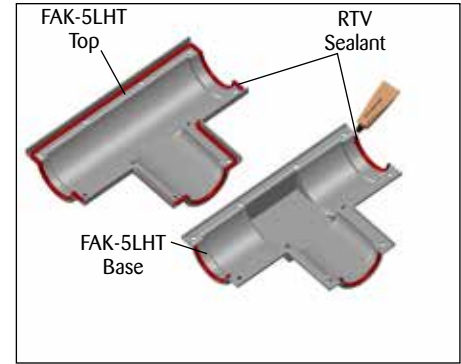
## INSTALLATION PROCEDURES



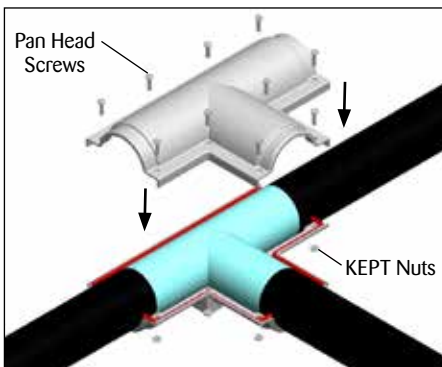
**10.** Wrap with 1 pass of heat reflective tape (50% overlap).



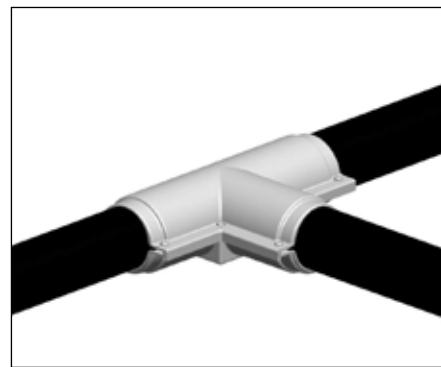
**11.** Cut FAK-5LHT top and base to match outside diameter of tubing bundle and remove end pieces.



**12.** Form a gasket by applying RTV sealant to the FAK-5LHT top and base.



**13.** Fit tubing bundle to bottom half of cover and install top half. Screw down firmly. Inspect ends of tubing splice cover for snug fit. Apply additional RTV sealant where needed.



**14.** Completed Tee Splice using FAK-5LHT. Apply additional RTV sealant if needed.



**THERMON . . . The Heat Tracing Specialists®**  
 100 Thermon Dr. • PO Box 609 • San Marcos, TX 78667-0609  
 Phone: 512-396-5801 • Facsimile: 512-396-3627  
**1-800-820-HEAT** • In Canada call **1-800-563-8461**

For the Thermon office nearest you  
 visit us at . . .  
[www.thermon.com](http://www.thermon.com)



Specifications and information are subject to change without notice. Form PN50107-0715